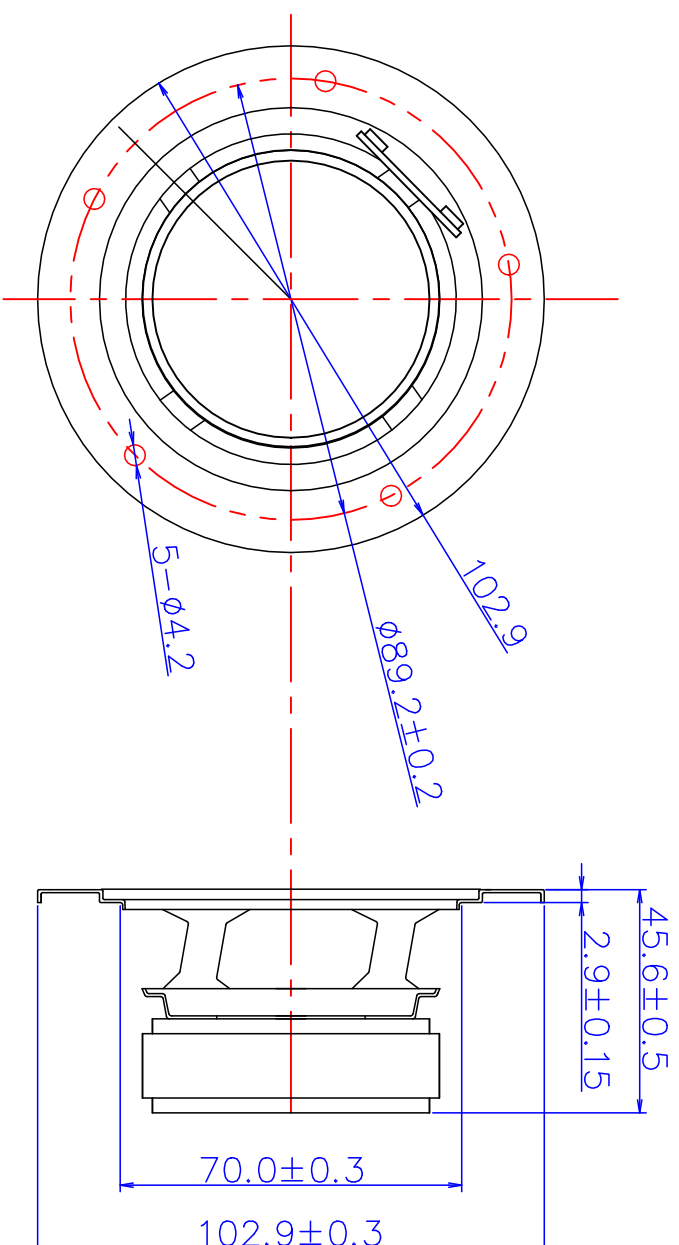


Remark :
After put EVA seal the recess depth
add 0.3-0.5mm
贴上密封EVA后沉位深度加多0.3-0.5mm.



MARK AUDIO
CHN50 install drawing

PART NO:	MECHANICAL DRAWING	
MODEL NO.: CHN50	APPROVAL BY	MADE BY
DATE: 2018.08.12	Evan Yu	Evan Yu
Version: v1	UNIT: mm	